

# [ Products ] you can identify with



## Sense Asset (BLE)

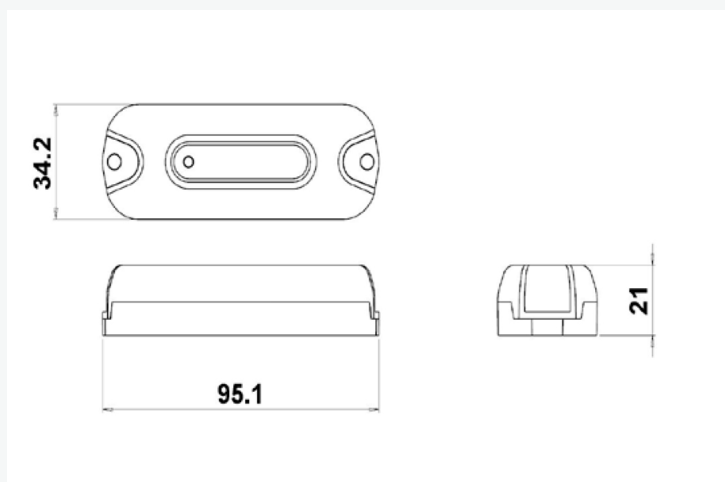
The Sense Asset IoT BLE device includes robust and durable Bluetooth Low Energy beacons. The device is also equipped with a temperature sensor and accelerometer for asset tracking. The BLE beacon can be easily configured via a smartphone application and in-built Near Field Communication (NFC). The ultra rugged construction of the device makes it suitable for a huge range of IoT and IIoT applications.

### Applications

The Sense Asset device is ideal for applications requiring medium range tracking such as:

- Hospitals
- Warehouse management
- Facilities management
- Asset management
- Manufacturing facilities
- Container management
- Ports construction and mining
- Cold chain condition monitoring

### Dimensions



### Physical Specifications

<b>Material</b>	Overmoulded durable, shock resistant TPE (thermoplastic elastomer)
<b>Size</b>	95.1 x 34.2 x 21 mm 3.74 x 1.35 x 0.83 in
<b>Weight (g)</b>	59
<b>Attachment</b>	Mechanical (std)

# [ Products ] you can identify with

## Configurable Parameters

**Low Temperature Threshold**      Accelerometer Threshold

## Environmental Specifications

**Operating Temperature**      -20°C to +60°C

**IP Rating**      IP68

**Shock & Vibration Tolerance**      MIL-STD-810 F

## Certifications

CE, FCC, RoHS, Bin, NFC, Bluetooth



## Operational Specifications

**Radio Protocol**      Bluetooth, NFC

**Supported Profiles**      iBeacon, Eddystone UUID, Generic

**Battery Type**      Sealed prismatic battery, non-replacable

**Battery Capacity**      1.5 Ah

**Battery Life**      5 years, 5% motion, 10 second beacon rate

**Default Beacon Rate**      1-10 seconds

**Alarm Beacon Rate**      Configurable from 0-10 seconds (where 0 is off)

**Sensors**      Accelerometer

**Visual Indicator**      LED

## Related System Components

**BLE Technology Evaluation Kit**      Including BLE devices, software and user guide

## Ordering Information

**Warranty**      1 year

**Part Number / Order Codes / Order Numbers**      CP13888 (Generic profile)