

[Products] you can identify with



Sense Asset XL

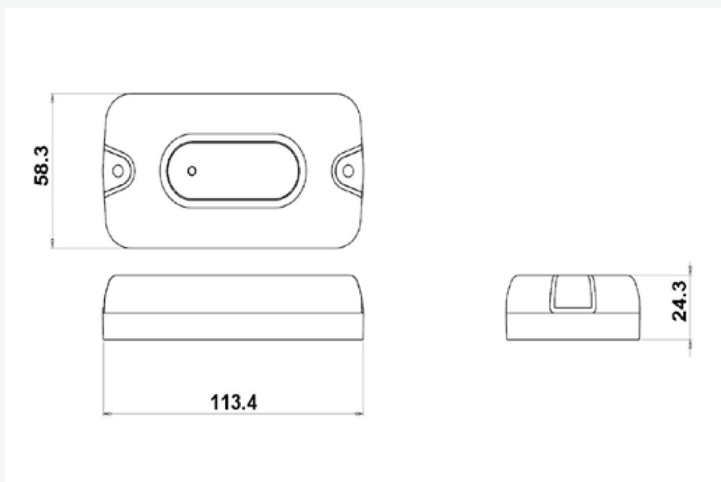
The Sense Asset XL IoT device is hugely powerful and flexible thanks to the combination of GPS and LoRa technology. As a result, the device will deliver high levels of outdoor accuracy and performance over a long range. The ultra-rugged construction of the device makes it suitable for a huge range of IoT and IIoT projects.

Applications

The Sense Asset XL LoRa/GPS device is ideal for applications requiring long range tracking such as:

- Cold chain condition monitoring
- Facilities management
- Field operations
- Worker accountability
- Yard management
- Container management
- Ports construction and mining
- Asset management
- Fleet monitoring

Dimensions



Physical Specifications

| | |
|-------------------|--|
| Material | Overmoulded durable, shock resistant TPE (thermoplastic elastomer) |
| Size | 113.4 x 58.3 x 24.3 mm 4.46 x 2.30 x 0.96 in |
| Weight (g) | 134 |
| Attachment | Mechanical (std) |

[Products] you can identify with

Configurable Parameters

| | |
|---------------------------------------|-------------------------------------|
| Low Temperature Threshold | GNSS minimum lock time (in minutes) |
| Accelerometer Threshold | GNSS DoP Threshold |
| Default Beacon Rate (In Hours) | Alarm Beacon Rate (in minutes) |

Environmental Specifications

| | |
|--|----------------|
| Operating Temperature | -20°C to +60°C |
| IP Rating | IP68 |
| Shock & Vibration Tolerance | MIL-STD-810 F |

Certifications

CE, FCC, RoHS, Bin, NFC, LoRa



Operational Specifications

| | |
|---------------------------------|--|
| Radio Protocol | NFC, LoRaWAN |
| Supported Profiles | 868 MHz - Europe, 915 MHz - USA |
| Battery Type | Sealed prismatic battery, non-replacable |
| Battery Capacity | 4.8 Ah |
| Battery Life | 5 years, 2,000 movements |
| Default Beacon Rate | 1-254 hours |
| Alarm Beacon Rate | Configurable from 0-254 minutes (where 0 is off) |
| Sensors | GPS, Accelerometer, Temperature |
| Temperature Sensor Range | - 20c to +60c with an accuracy of +/- 2c |
| Visual Indicator | LED |

Related System Components

| | |
|---------------------------------------|---|
| LoRa Technology Evaluation Kit | Including LoRa devices, user guide and MultiTech reader |
|---------------------------------------|---|

Ordering Information

| | |
|--|---|
| Warranty | 1 year |
| Part Number / Order Codes / Order Numbers | CP14295 (EU version) CP14296 (USA version) |

For product or technology inquiries email: sales@omni-id.com.
Visit omni-id.com to learn more about the complete line of **Omni-ID RFID** products