

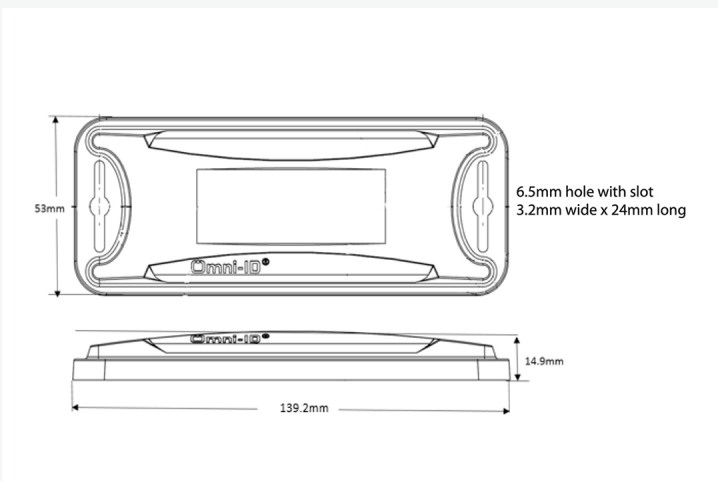
[Products] you can identify with



Physical Specifications

Material	PC ABS blend
Size	139.2 x 53 x 14.9 (+/- 1) mm 5.36 x 2.09 x 0.59 (+/- 0.04) in
Weight (g)	64
Attachment	Mechanical (standard) or premium foam (option)

Dimensions



Measurements shown in mm

Exo 2000

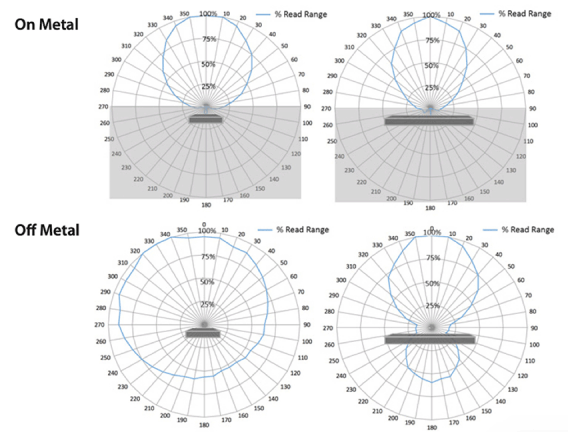
Omni-ID Exo 2000 is the most durable tag offering long read ranges across all geographies. Designed with heavy industry in mind, the Omni-ID Exo 2000 features extreme impact resistance and high temperature ratings, enabling it to be deployed in outdoor heavy industry environments anywhere in the world.

RF Specification

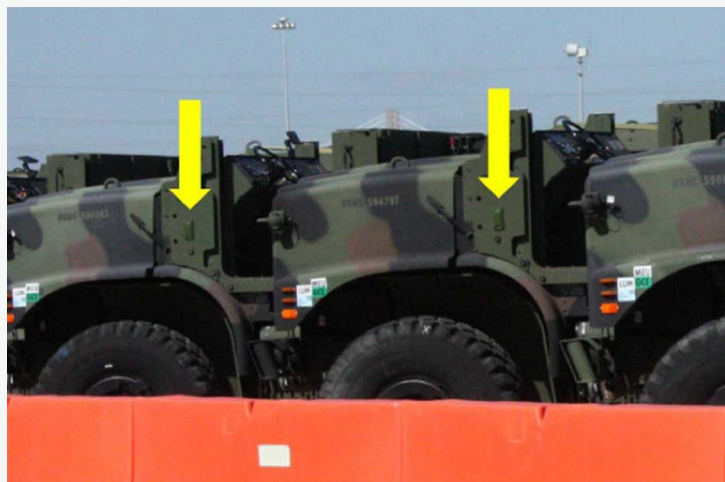
Radio Protocol	EPC Class 1 Gen2v2
Frequency Range	860 – 960 MHz (Global)
Read Range – Fixed Reader	Up to 20m (on metal)
Read Range – Handheld Reader	Up to 9m (on metal)
On Metal or Balanced	Optimized for metal
IC Type (Chip)	Impinj Monza 4QT
Memory	EPC - 128 bits User - 512 bits Unique TID - 48 bits

EPC and User memory are reprogrammable. UTID is locked at point of manufacture by IC manufacturer.

Radiation Patterns



[Products] you can identify with



With an excellent read range across all geographic regions and a durable, high heat resistant encasement, the Exo 2000 is best suited to outdoor applications, including:

- Container tracking for yard management
- Defense asset management
- Cargo tracking

Environmental Specifications

Operating Temperature	-40°C to +85°C
Max Temperature Exposure	-40°C to 100°C
IP Rating	IP68
Shock & Vibration Tolerance	MIL-STD-810 G
Impact	25kg from 1m

Certifications

CE, RoHS, Ex, ATEX/IECEX certified (option), US&Canada (C1D1/D2) certified (option), EN50121-3-2:2016+A1:2019



Ordering Information

Warranty	3 years
Product Options	:303 (Customization) :304 (ATEX/IECEX certified) :307 (US&Canada (C1D1/D2) certified) :508 (premium foam) :701 (Standard Service Bureau)
Part Number / Order Codes / Order Numbers	152 - Global

For product or technology inquiries email: sales@omni-id.com.

Visit omni-id.com to learn more about the complete line of **Omni-ID RFID** products