

[Products] you can identify with



Adept 400 (5 layer) – GS

Designed for use in very harsh environments, the Omni-ID Adept 400 is ideal for attachment to pipes and fixed assets in remote production, extraction, and processing industrial facilities. Capable of surviving heavy impact, this global frequency tag is capable of surviving long term field use anywhere on the globe.

Physical Specifications

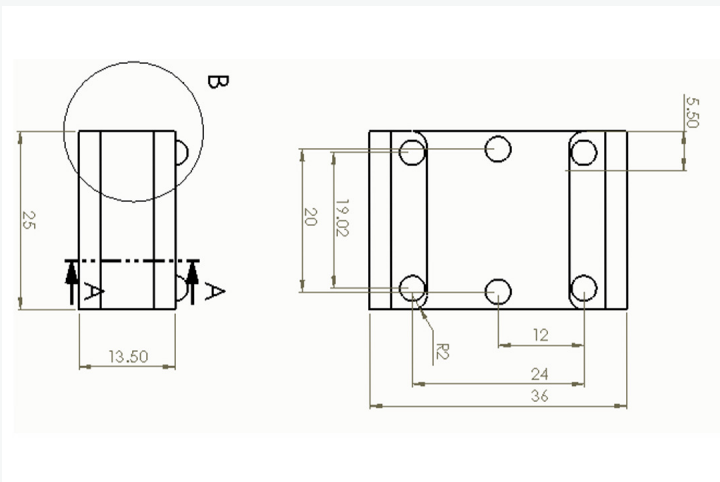
Material	Stainless steel with ceramic core
Layers	5 layers
Size	45 x 30.5 x 15.5 mm 1.77 x 1.20 x 0.61 in
Weight (g)	94
Attachment	Steel strap or welded

RF Specification

Radio Protocol	EPC Class 1 Gen2v2
Frequency Range	860 - 930 (GS)
Read Range – Fixed Reader	Up to 4m (13.1 feet)
Read Range – Handheld Reader	Up to 2m (6.5 feet)
On Metal or Balanced	Optimized for metal
IC Type (Chip)	Impinj Monza 4QT
Memory	EPC - 128 bits User - 512 bits Unique TID - 48 bits

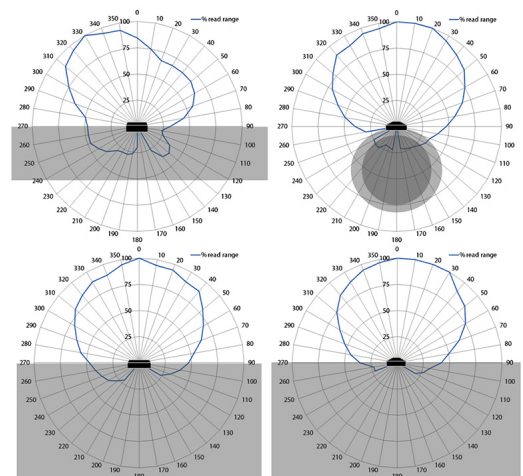
EPC and User memory are reprogrammable. UTID is locked at point of manufacture by IC manufacturer.

Dimensions



Measurements shown in mm

Radiation Patterns



[Products] you can identify with



Designed for easy strap or adhesive attachment, the Omni-ID Adept 400 is perfect for industrial applications requiring high impact resistance, including MRO applications for:

- Piping
- Processing Equipment
- Valves

Environmental Specifications

Operating Temperature	-20°C to +65°C
Max Temperature Exposure	-20°C to +65°C
IP Rating	IP68
Shock & Vibration Tolerance	MIL-STD-810 G

Certifications

CE, RoHS, ATEX/IECEX certified (option), US&Canada (C1D1/D2) certified (option)



Ordering Information

Warranty	1 year
Product Options	:303 (Customization) :304 (ATEX/IECEX certified) :307 (US&Canada (C1D1/D2) certified) :523 *(Low profile, 4 layer without strap) :701 (Standard Service Bureau)
Part Number / Order Codes / Order Numbers	CP08543