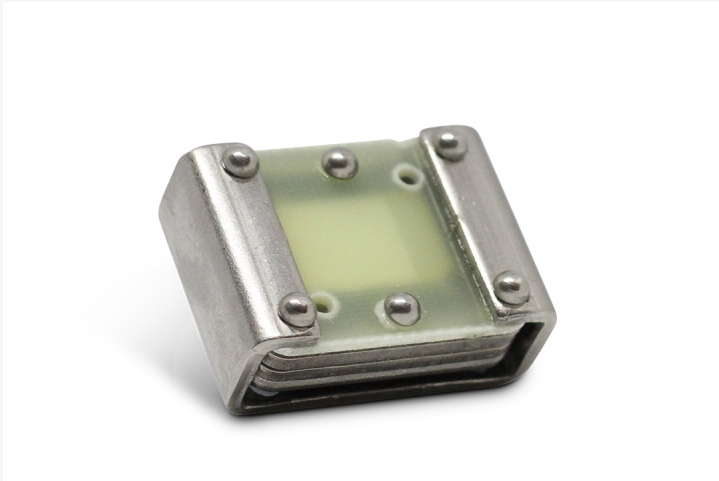


[Products] you can identify with



Adept 400 (5 layer) – US

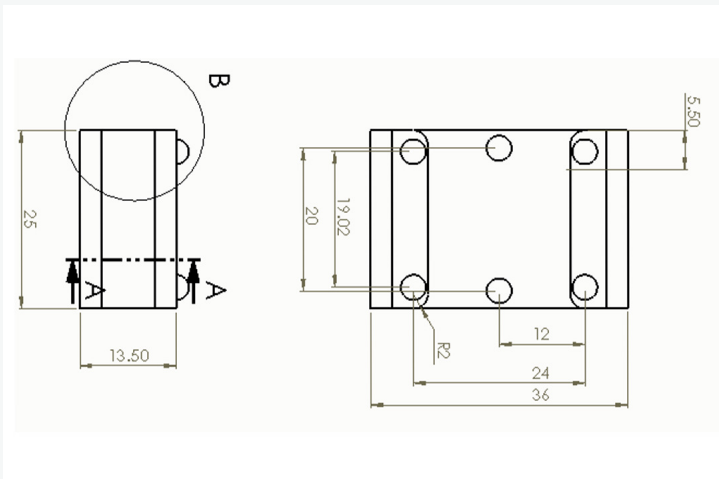
Designed for use in very harsh environments, the Omni-ID Adept 400 is ideal for attachment to pipes and fixed assets in remote production, extraction, and processing industrial facilities. Capable of surviving heavy impact, this global frequency tag is capable of surviving long term field use anywhere on the globe.

Applications

Designed for easy strap or adhesive attachment, the Omni-ID Adept 400 is perfect for industrial applications requiring high impact resistance, including MRO applications for:

- Piping
- Valves
- Processing Equipment

Dimensions



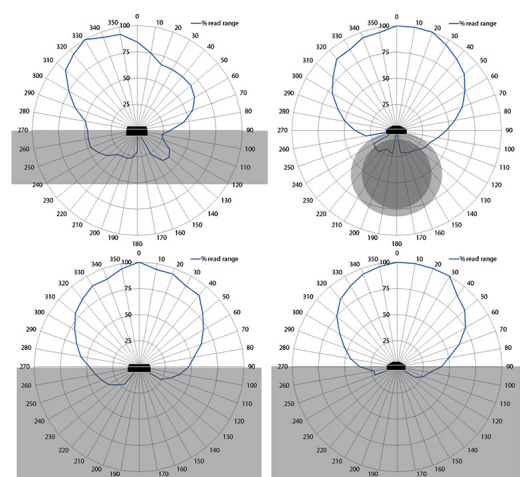
Measurements shown in mm

Physical Specifications

| | |
|-------------------|--|
| Material | Stainless steel with ceramic core |
| Layers | 5 layers |
| Size | 36 x 25 x 13.5 mm 1.42 x 0.98 x 0.53 in |
| Weight (g) | 58 |
| Attachment | Steel strap or welded |

Product dimensions shown above are the maximum. Batch to batch variation could be within 5%. Unspliced sections will be within 0.2mm tolerance.

Radiation Patterns



[Products] you can identify with

Environmental Specifications

| | |
|--|----------------|
| Operating Temperature | -20°C to +65°C |
| Max Temperature Exposure | -20°C to +65°C |
| IP Rating | IP68 |
| Shock & Vibration Tolerance | MIL-STD-810 G |

Certifications

CE, RoHS, ATEX/IECEX certified (option), US&Canada (C1D1/D2) certified (option)



Operational Specifications

| | |
|-------------------------------------|--|
| Radio Protocol | EPC Class 1 Gen2v2 |
| Frequency Range | 902 – 928 MHz (US) |
| Read Range – Fixed Reader | Up to 4.5m (5.9 feet) US |
| Read Range – Handheld Reader | Up to 1.8m (5.9 feet) US |
| On Metal or Balanced | Optimized for metal |
| IC Type (Chip) | Alien Higgs 3 |
| Memory | EPC - 96 bits User - 512 bits Unique TID - 64 bits |

Quoted performance achieved using standard testing methodology on Aluminium test plates. Read range is dependent on multiple factors such as; RFID reader transmit power and receiver sensitivity, asset material and environment. Please see the Omni-ID On Metal Labels User Guide for more detail.
2 EPC and User memory are reprogrammable. UTID is locked at point of manufacture by IC manufacturer.

Ordering Information

| | |
|--|---|
| Warranty | 1 year |
| Product Options | :303 (Customization) :304 (ATEX/IECEX certified) :307 (US&Canada (C1D1/D2) certified) :523 *(Low profile, 4 layer without strap) :701 (Standard Service Bureau) |
| Part Number / Order Codes / Order Numbers | 115 - (GS) |