

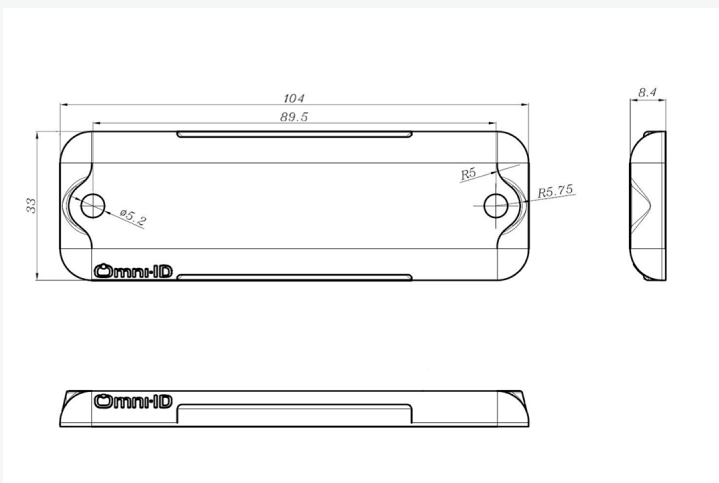
[Products] you can identify with



Physical Specifications

Material	ABS or polycarbonate
Size	104 x 33 x 8.4 (+/- 1) mm 4.1 x 1.3 x 0.33 (+/- 0.04) in
Weight (g)	22
Attachment	Manual (standard), film adhesive (option), standard foam adhesive (option) or premium foam adhesive (option)

Dimensions



Measurements shown in mm

Max Rigid

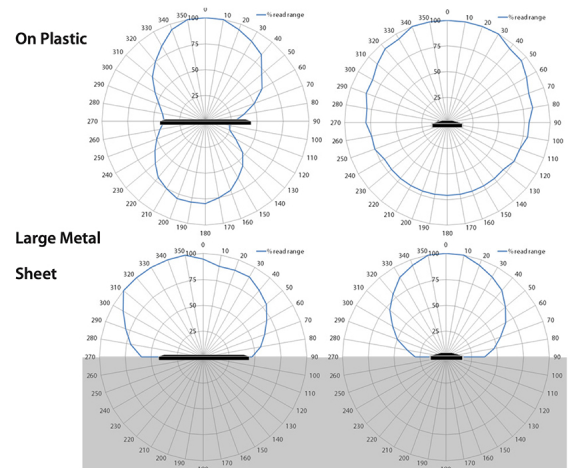
Omni-ID Max Rigid is a long range passive UHF RFID tag capable of reading on, off, and near metal surfaces. Designed in a surprisingly small form factor, Omni-ID Max Rigid features a durable water tight encapsulation for long term use in outdoor and industrial environments.

RF Specification

Radio Protocol	EPC Class 1 Gen2v2
Frequency Range	866 – 868 MHz (EU) 902 – 928 MHz (US) 952 - 954 (JPN)
Read Range – Fixed Reader	Up to 12m - US, Up to 10m - EU, Up to 3.5m (JPN)
Read Range – Handheld Reader	Up to 6m (US), Up to 5 (EU), Up to 3.5 (JPN)
Material Compatibility	Metal
Memory	EPC - 96 bits User - 512 bits Unique TID - 64 bits

EPC and User memory are reprogrammable. UTID is locked at point of manufacture by IC manufacturer.

Radiation Patterns



[Products] you can identify with



With its high performance and high durability encapsulation, Omni-ID Max Rigid is ideally suited to manufacturing and logistics applications including tracking:

- Returnable transit items (within region)
- Warehouse storage locations
- Rail carriages

Environmental Specifications

Operating Temperature	-40°C to +85°C (PC)
Long term Max Temperature exposure	+55°C (ABS) / +85°C (PC)
Short term Max Temperature exposure	+65°C (ABS) / +95°C (PC)
IP Rating	IP68
Shock & Vibration Tolerance	MIL-STD-810 F
Impact	8kg from 1m

Certifications

CE, RoHS, ATEX/IECEX certified (option), US&Canada (C1D1/D2) certified (option)



Ordering Information

Warranty	3 years
Product Options	:302 (PC) :304 (ATEX/IECEX certified) :307 (US&Canada (C1D1/D2) certified) :502 (film adhesive) :507 (std. foam) :508 (premium foam) :701 (Standard Service Bureau) :702 (Custom Service Bureau)
Part Number / Order Codes / Order Numbers	020 - US, EU, JPN

For product or technology inquiries email: sales@omni-id.com.
Visit omni-id.com to learn more about the complete line of **Omni-ID RFID** products