

# [ Products ] you can identify with



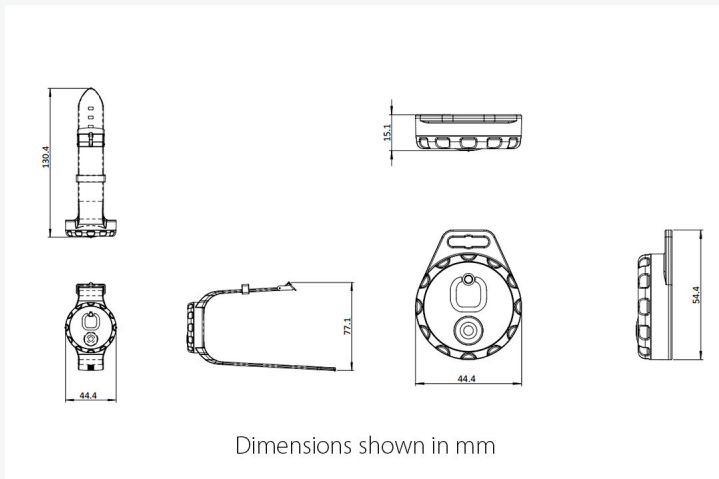
## Sense Shield

The Omni-ID Sense Shield BLE beacon with Quuppa technology can be used for contact tracing using highly accurate (sub 1 meter) personnel tracking. When a member of staff is found to be Covid-19 positive, the data provided by the device allows simple and reliable identification of personnel who have been in contact with the infected person, enabling organisations to quarantine specific individuals, thus avoiding the need to close down whole operations. Furthermore, the device can be used to implement social distancing rule enforcement and warn members of staff when they are in breach of distance regulations. The system continuously monitors the position of personnel and when two or more persons are in breach of social distancing rules an audible alert is sounded on the devices. The solution can be adapted to individual workplaces and tailored to local regulations. The wearable device comes in 3 variants - lanyard, belt clip and watch strap.

### Applications

- Sports stadia and indoor arenas
- Hospitals
- Warehouse facilities
- Ports and mines
- Construction yards

### Dimensions



Dimensions shown in mm

Measurements shown in mm

## Quuppa

### Physical Specifications

<b>Material</b>	2 Part durable plastic case
<b>Size</b>	Lanyard or belt clip (mm) - 50.1mm x 44.5mm x 13mm Watch strap (mm) - 44.5mm (bezel size), strap length - 115mm+75mm to buckle mm Lanyard or belt clip (inches) - 1.97" x 1.75" x 0.51" Watch strap (inches) - 1.79" (bezel size), strap length - 4.5"+2.9" to buckle in
<b>Weight (g)</b>	TBC
<b>Attachment</b>	3 versions available - lanyard, belt clip or watch strap

Product dimensions shown above are the maximum. Batch to batch variation could be within 5%. Unspliced sections will be within 0.2mm tolerance.

# [ Products ] you can identify with

## Configurable Parameters

**Tx power**

**Accelerometer threshold (rate & sensitivity)**

**Default beacon rate (transmit rate)**

**Rx rate**

**Buzzer volume**

## Environmental Specifications

**Operating Temperature** -20°C to +60°C

**IP Rating** IP68

## Certifications

CE, FCC, RoHS, NFC, Bluetooth



## Operational Specifications

**Radio Protocol** Bluetooth, NFC

**Supported Profiles** Quuppa

**Battery Type** Replaceable CR2032

**Battery Capacity** 225mAh

**Battery Life** 6 months under following conditions - (device moving 10 hours/day (3Hz beacon rate). Device stationary 14 hours/day (0.1 Hz beacon rate). TX power set to 0dBm, Enters alert mode 20 times per day with buzzer & LED activation for 20 seconds at each alert (Blink Slow).

**Visual Indicator** Bi-color LED

Quoted performance achieved using standard testing methodology on Aluminium test plates. Read range is dependent on multiple factors such as; RFID reader transmit power and receiver sensitivity, asset material and environment. Please see the Omni-ID On Metal Labels User Guide for more detail.  
2 EPC and User memory are reprogrammable. UTID is locked at point of manufacture by IC manufacturer.

## Ordering Information

**Warranty** One Year

**Part Number / Order Codes / Order Numbers** CP14827-Wrist Strap

CP14828-Lanyard/Belt Clip

CP15016 -Omni-id Lanyard accessory

CP15067 -Belt Clip Accessory

For product or technology inquiries email: [sales@omni-id.com](mailto:sales@omni-id.com).

Visit [omni-id.com](http://omni-id.com) to learn more about the complete line of **Omni-ID RFID** products