

## [ Products ] you can identify with



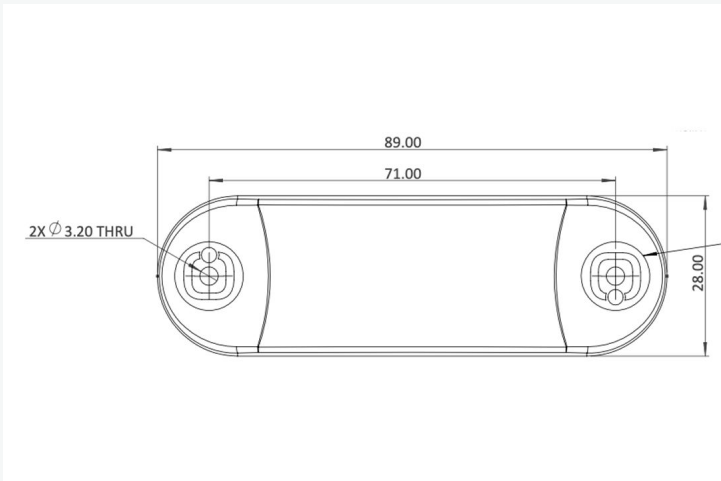
### Flex 1000 Shell

The Flex 1000 Shell adds a hard, clear case upper on top of our Flex label tag to provide medium level protection from knocks, liquid spillage or other environmental factors. The transparent case is an ideal way to protect printed information on the label whilst still making it readable by the human eye and without any impact on the read performance. The label itself is a low profile, small form factor RFID tag designed specifically for attachment to office equipment, IT assets or RTI's. With its superior RF performance, this tag excels in portal applications where the read range can be expanded by up to 25%.

#### Physical Specifications

<b>Material</b>	White synthetic label encased
<b>Size</b>	89 x 28 x 7.75 mm 3.5 x 1.10 x 0.30 in
<b>Weight (g)</b>	US 9.33 EU 9.40
<b>Attachment</b>	Mechanical (Std), Foam adhesive (Std)

#### Dimensions



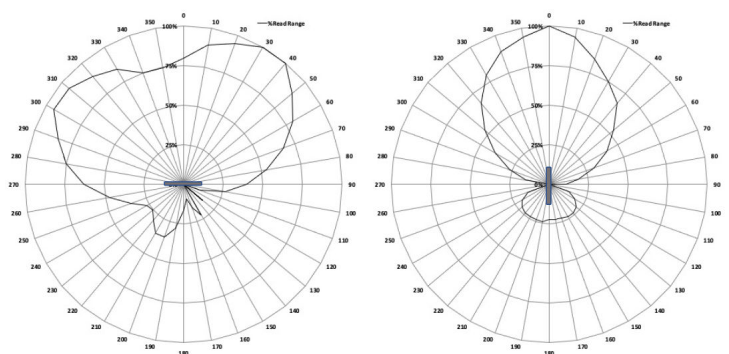
Measurements shown in mm

#### RF Specification

<b>Radio Protocol</b>	EPC Class 1 Gen2v2
<b>Frequency Range</b>	866 – 868 MHz (EU) 902 – 928 MHz (US)
<b>Read Range – Fixed Reader</b>	Up to 10m (32.8 feet)
<b>Read Range – Handheld Reader</b>	Up to 5.6m (18.37 feet)
<b>On Metal or Balanced</b>	Optimized for metal
<b>Material Compatibility</b>	Metal
<b>IC Type (Chip)</b>	U-Code8
<b>Memory</b>	EPC - 128 bits User - 0 bits Unique TID - 48 bits

EPC and User memory are reprogrammable. UTID is locked at point of manufacture by IC manufacturer.

#### Radiation Patterns



## [ Products ] you can identify with



The Flex 1000 Shell is ideally suited to applications such as:

- Office equipment
- Portals & Returnable Transit Items (RTI)
- Light outdoor use

### Environmental Specifications

<b>Operating Temperature</b>	-30°C to +65°C
<b>IP Rating</b>	IP68
<b>Impact</b>	1KG

### Ordering Information

<b>Warranty</b>	1 year
<b>Part Number / Order Codes / Order Numbers</b>	US CP14540
	EU CP14357

### Certifications



For product or technology inquiries email: [sales@omni-id.com](mailto:sales@omni-id.com).

Visit [omni-id.com](http://omni-id.com) to learn more about the complete line of **Omni-ID RFID** products