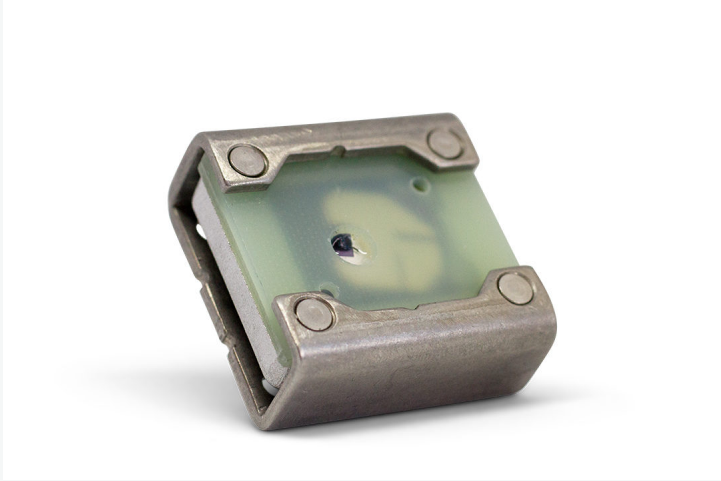


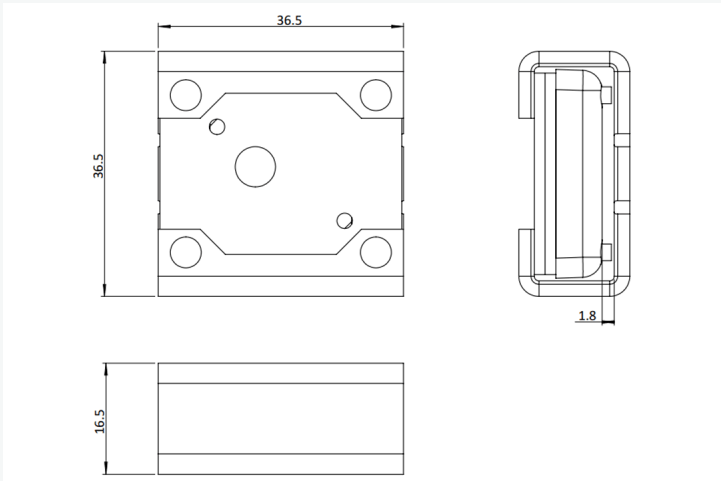
[Products] you can identify with



Physical Specifications

Material	Stainless steel with ceramic core
Size	36 x 31.3 x 16.50 mm, 1.41 x 1.23 x 2.12 in
Weight (g)	69.5
Attachment	Band width: up to 7/8" or 22 mm. Wire rope diameter: up to 1/16" or 2 mm.

Dimensions



Measurements shown in mm

Adept 400 GS

Designed for use in very harsh environments, Omni-ID's new ultra-durable Adept 400 GS has up to double the read range of its predecessor. The design accommodates a variety of attachments using traditional steel bands or wire rope making it ideal for attaching to small valves, pipes, and other assets used in oil and gas, containers, and industrial production facilities. This global frequency tag is capable of surviving long term field use anywhere on the globe.

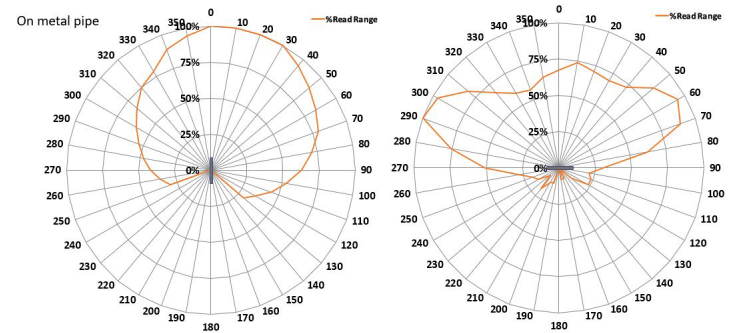


RF Specifications

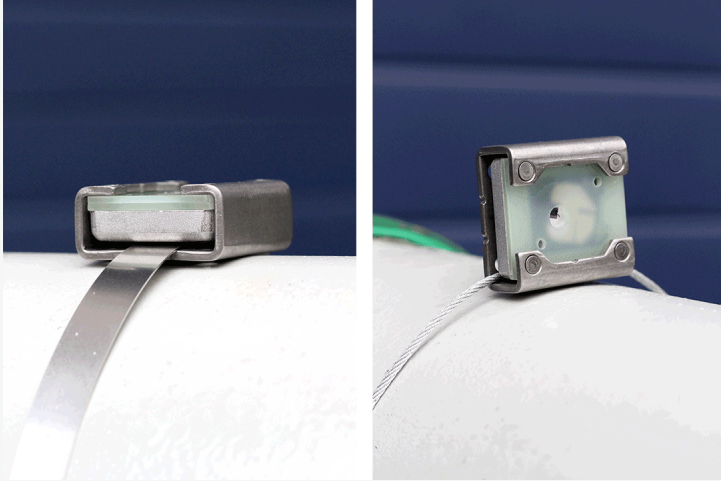
Radio Protocol	EPC Class 1 Gen2v2
Frequency Range	860 - 930 (GS)
Read Range - Fixed Reader	Up to 4m (13.1 feet)
Read Range - Handheld Reader	Up to 2.3m (7.5 feet)
On Metal or Balanced	Optimized for metal
IC Type (Chip)	Impinj Monza 4QT
Memory	EPC - 128 bits User - 512 bits Unique TID - 48 bits

EPC and User memory are reprogrammable. UTID is locked at point of manufacture by IC manufacturer.
Quoted performance achieved using standard testing methodology.
Read range will vary with reader hardware, output power and environment.

Radiation Patterns



[Products] you can identify with



Designed for easy and secure 'tethered' attachment the Adept 400 GS is perfect for industrial applications requiring high impact resistance including:

- Oil and gas processing
- Warehouse management
- Field operations
- Asset management
- Manufacturing facilities
- Container management
- Ports construction and mining
- Yard management

Certifications

CE, RoHS, ATEX/IECEX certified (option), US&Canada (C1D1/D2) certified (option)



Environmental Specifications

Operating Temperature	-20°C to +85°C
Max Temperature Exposure	-20°C to +85°C
IP Rating	IP68
Shock & Vibration Tolerance	MIL-STD-810 G

Ordering Information

Warranty	3 years
Part Number / Order Codes / Order Numbers	CP13676

For product or technology inquiries email: sales@omni-id.com.
Visit omni-id.com to learn more about the complete line of **Omni-ID RFID** products