

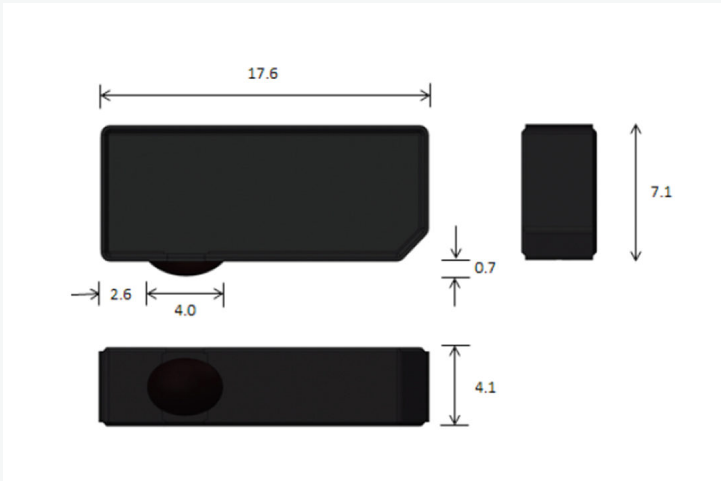
[Products] you can identify with



Physical Specifications

Material	Ceramic
Size	17.6 x 7.1 x 4.1 +/-0.5 mm 0.70 x 0.28 x 0.16 +/-0.02 in
Weight (g)	2.6
Attachment	Permanent liquid adhesive (not included) or film adhesive (option)

Dimensions



Measurements shown in mm

Fit 400P

Omni-ID Fit 400P is a small form factor, high performance RFID tag optimized for attachment to non-metallic assets and plastic materials. Fit 400P features a high sensitivity RF design and broad read angle enabling handheld and portal reading. Compatible with finishing processes including heat shrink, potting and injection moulding, Fit 400P is an excellent covert tag solution.

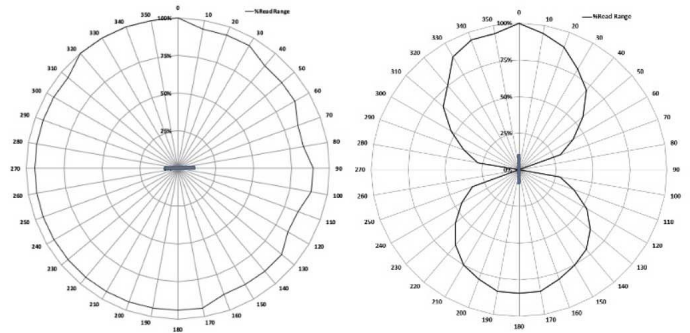
RF Specification

Radio Protocol	EPC Class 1 Gen2v2
Frequency Range	866 – 868 MHz (EU) 902 – 928 MHz (US)
Read Range – Fixed Reader	Up to 4m (13.1 feet)
Read Range – Handheld Reader	Up to 2m (6.5 feet)
On Metal or Balanced	Optimized for off metal
Material Compatibility	Plastic and non metallic substrates
IC Type (Chip)	EM 4124
Memory	EPC - 96 bits User - 0 bits Unique TID - 64 bits

EPC and User memory are reprogrammable. UTID is locked at point of manufacture by IC manufacturer.

Radiation Patterns

Off Metal



[Products] you can identify with



With its small form and high performance, Omni-ID Fit 400P tags are ideally suited to asset tracking applications including:

- Plastic handles on hand tools.
- Small Plastic tools.
- Surface mounting on plastic components on larger high value assets.

Environmental Specifications

Operating Temperature	-40°C to +75°C
Max Temperature Exposure	-40°C to +75°C
Application Temperature	+18°C to +35°C
IP Rating	IP68
Shock & Vibration Tolerance	MIL-STD-810 G

Ordering Information

Warranty	1 year
Part Number / Order Codes / Order Numbers	CP15704-EU-No Adhesive
	CP15705-US-No Adhesive
	CP15706-EU-with Adhesive
	CP15707-US with Adhesive

Certifications

CE, RoHS



For product or technology inquiries email: sales@omni-id.com.

Visit omni-id.com to learn more about the complete line of **Omni-ID RFID** products