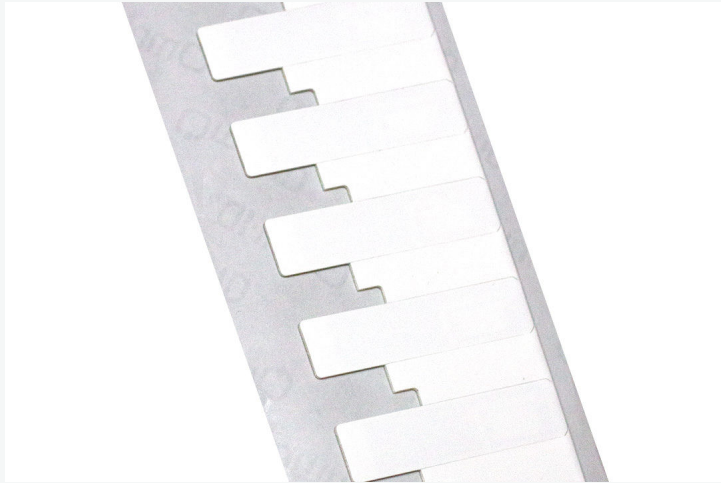


# [ Products ] you can identify with

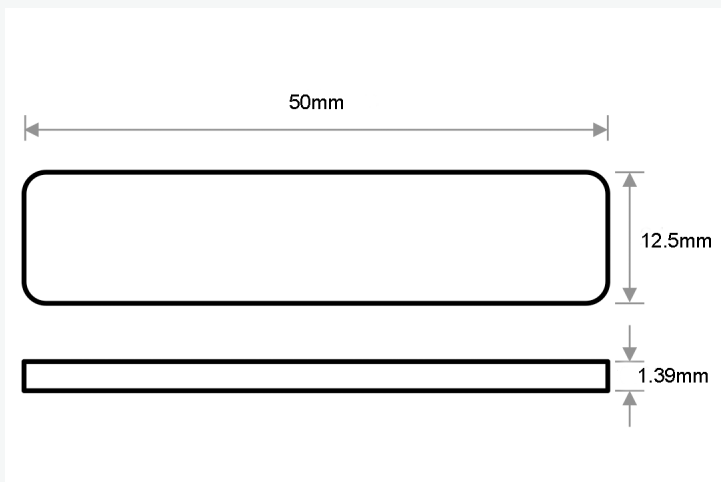


## Physical Specifications

<b>Material</b>	White synthetic label
<b>Size</b>	50 x 12.5 x 1.39 mm, 1.96 x 0.49 x 0.05 in
<b>Weight (g)</b>	0.46
<b>Attachment</b>	Self-adhesive and suitable for curved surfaces to a minimum radius of 58mm

Product dimensions shown above are the maximum. Batch to batch variation could be within 5%. Unspliced sections will be within 0.2mm tolerance. Please note these labels are not suitable for encoding within an RFID printer but can be ordered pre-encoded from Omni-ID.

## Dimensions



Measurements shown in mm

## Sense IQ 175

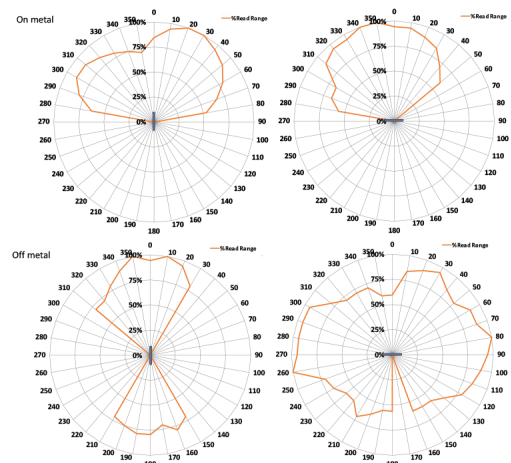
Sense IQ 175 labels provide on metal tag functionality with built-in temperature sensor as well as moisture detection within a small, low-profile format. Supplied in roll form enabling low-cost asset tracking and temperature monitoring in an easy-to-deploy passive RFID label.

## Specifications

<b>Frequency Range</b>	866 – 868 MHz (EU) 902 – 928 MHz (US)
<b>Read Range – Fixed Reader</b>	Up to 1.5m (4.9 feet)
<b>Read Range – Handheld Reader</b>	Up to 0.7m (2.3 feet)
<b>On Metal or Balanced</b>	Optimized for metal
<b>Sensors</b>	Temperature
<b>Material Compatibility</b>	Metal
<b>IC Type (Chip)</b>	Axzon Magnus M3D
<b>Memory</b>	EPC - 128 bits User - 128 bits Unique TID - 64 bits

Quoted performance achieved using standard testing methodology. Read range will vary with reader hardware, output power and environment. EPC and User memory are reprogrammable, UTID is locked at point of manufacture by IC manufacturer.

## Radiation Patterns



# [ Products ] you can identify with



With a thin profile and label presentation, Omni-ID's Sense IQ 175 labels are ideal for on-metal applications such as:

- IT, office, hospital and laboratory asset tracking
- Logistics involving metallic packaging
- Intermodal logistics

The built in temperature sensor allows the Sense IQ 175 to be used for applications such as:

- Predictive maintenance
- IT data centers

## Sensor Specifications

<b>Temperature Sensor Accuracy</b>	±0.5°C at 30°C to 60°C
<b>Sensor Code With Moisture Change</b>	0-500*

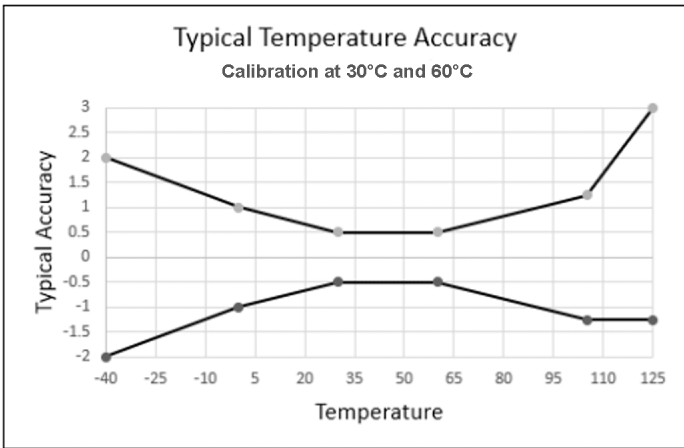
\* Sensor code will depend upon application and material of the asset/container in use. Refer to product guide for details.

## Environmental Specifications

<b>Operating Temperature</b>	-40°C to +85°C
<b>Max Temperature Exposure</b>	-40°C to +85°C
<b>IP Rating</b>	IP68

## Ordering Information

<b>Warranty</b>	1 year
<b>Part Number / Order Codes / Order Numbers</b>	CP15470 EU CP15469 US
<b>Supply Format</b>	918 pcs/roll (2% oversupply)



## Certifications

CE, RoHS



For product or technology inquiries email: [sales@omni-id.com](mailto:sales@omni-id.com).

Visit [omni-id.com](http://omni-id.com) to learn more about the complete line of **Omni-ID RFID** products