

[Products] you can identify with

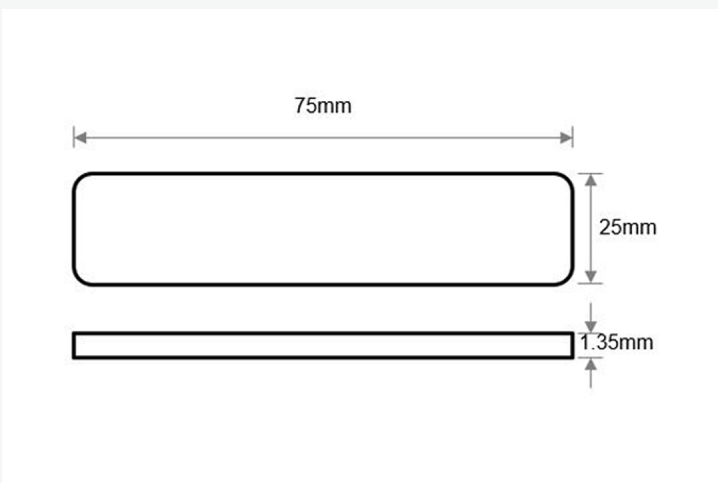


Physical Specifications

Material	White synthetic label
Size	75 x 25 x 1.35 (+/- 2) mm, 2.95 x 0.98 x 0.05 with ground plane (+/-0.07) in
Weight (g)	1.4
Attachment	Self-adhesive and suitable for curved surfaces to a minimum radius of 58mm

Product dimensions shown above are the maximum. Batch to batch variation could be within 5%. Unspliced sections will be within 0.2mm tolerance

Dimensions



Measurements shown in mm

IQ 600 GS

Omni-ID IQ 600 GS ultrathin labels provide on metal tag functionality, within a low profile label. Supplied in roll form, the tag has been optimized for thermal barcode printers, enabling low cost and hassle-free RFID deployment. The consistency and reliability of the tag redefines the standard for on and off metal RFID tagging, enabling new applications and revolutionizing integration into manufacturing and supply chain processes.



RF Specifications

Radio Protocol	EPC Class 1 Gen2v2
Frequency Range	860 - 930 (GS)
Read Range - Fixed Reader	Up to 7.3m (24.0 feet)
Read Range - Handheld Reader	Up to 4m (13.12 feet)
On Metal or Balanced	Optimized for metal
Material Compatibility	Metal, Plastic, Ceramic
IC Type (Chip)	Impinj-M730
Memory	EPC - 128 bits User - 0 bits Unique TID - 48 bits

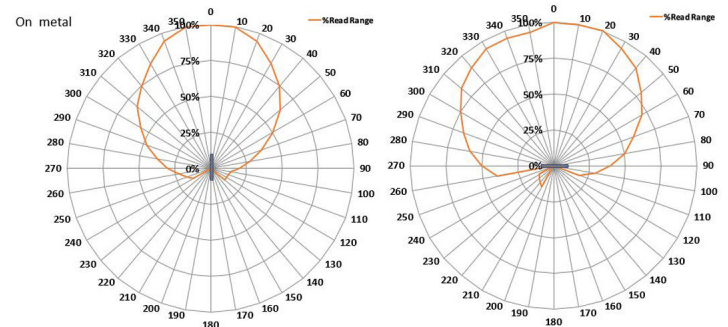
Quoted performance achieved using standard testing methodology on Aluminium test plates.

Read range is dependent on multiple factors such as; RFID reader transmit power and receiver sensitivity, asset material and environment.

Please see the Omni-ID On Metal Labels User Guide for more detail.

EPC is reprogrammable. UTID is locked at point of manufacture by IC manufacturer.

Radiation Patterns



[Products] you can identify with



With innovative construction and thermal barcode printer compatibility, the Omni-ID IQ 600 GS label is ideal for applications such as:

- Logistics involving metal produce or packaging
- Pipe manufacturing and re-certification
- IT, office & hospital assets tracking applications

Certifications

CE, RoHS



Environmental Specifications

Operating Temperature	-40°C to +85°C
Max Temperature Exposure	-40°C to +85°C
Application Temperature	+18°C to +35°C
IP Rating	IP68
Shock & Vibration Tolerance	MIL-STD-810 G
Printer Compatibility	SATO

Ordering Information

Warranty	1 year
Part Number / Order Codes / Order Numbers	CP16595
Supply Format	500 labels per roll

For product or technology inquiries email: sales@omni-id.com.
Visit omni-id.com to learn more about the complete line of **Omni-ID RFID** products