

[Products] you can identify with



Exo 400

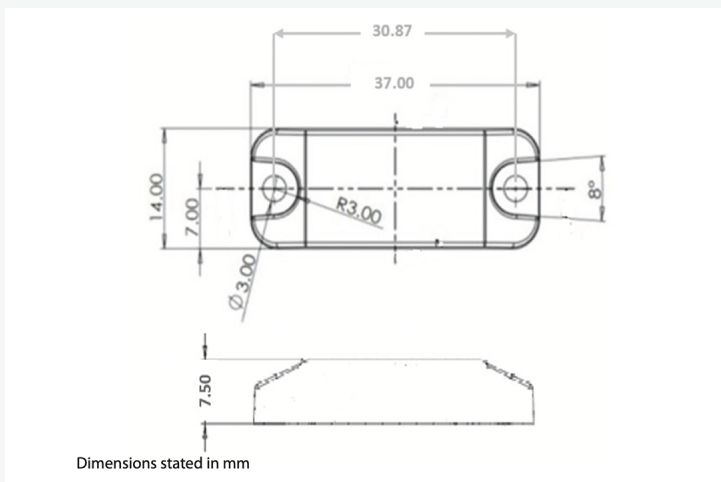
Omni-ID Exo 400 is a small form factor, High Temperature RFID tag optimized for metal substrates. With a combined ability to survive high temperatures to 235°C and a rugged encapsulation, this tag is ready for deployment in a variety of applications without sacrificing read range performance.

Applications

Omni-ID's Exo 400 High Temperature tag is an ideal solution for applications where surviving excessive heat in a rugged environment is needed such as:

- Healthcare sterilization processes
- Automotive post-paint processes
- Manufacturing processes

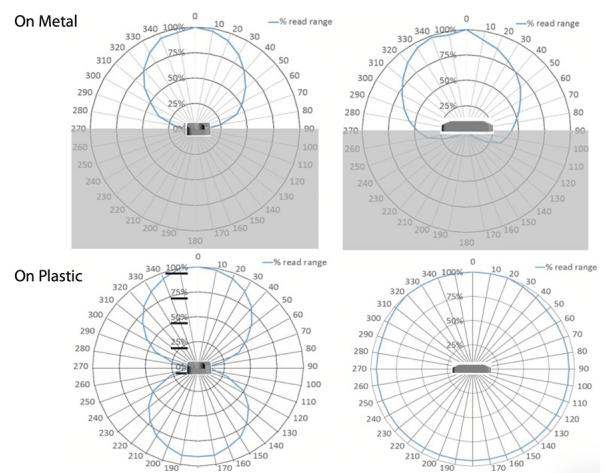
Dimensions



Physical Specifications

Material	Thermoplastic cover
Size	37 x 14 x 7.5 mm 1.46 x 0.55 x 0.30 in
Weight (g)	5.7
Attachment	Mechanical (std) 2 x 3mm holes

Radiation Patterns



[Products] you can identify with

Environmental Specifications

Operating Temperature	-20°C to +85°C
Max Temperature Exposure	-20°C to +235°C
IP Rating	IP68
Shock & Vibration Tolerance	MIL-STD-810 G

Certifications

CE, RoHS, ATEX/IECEX certified (option), US&Canada (C1D1/D2) certified (option)



Operational Specifications

Radio Protocol	EPC Class 1 Gen2v2
Frequency Range	866 – 868 MHz (EU), 902 – 928 MHz (US)
Read Range – Fixed Reader	Up to 4m (13.1 feet)
Read Range – Handheld Reader	Up to 2m (6.5 feet)
On Metal or Balanced	Optimized for metal
Material Compatibility	Metal
IC Type (Chip)	Alien Higgs 3
Memory	EPC - 96 bits User - 512 bits Unique TID - 64 bits

Ordering Information

Warranty	1 year
Product Options	:303 (Customization) :304 (ATEX/IECEX certified) :307 (US&Canada (C1D1/D2) certified) :701 (Standard Service Bureau)
Part Number / Order Codes / Order Numbers	144 - (EU,US)

For product or technology inquiries email: sales@omni-id.com.
Visit omni-id.com to learn more about the complete line of **Omni-ID RFID** products